

product specifications for:

# 50A Inlets

**Item #:** 6344EL-BRV.BLK

**Description**

50 Amp 125V/250V Black Inlet with Stainless steel Trim

**Electrical Specifications**

50 amperes, 125/250 volts, 4-wire locking  
NEMA: SS2-50P

**Material Specifications**

Cap & Bezel Material: Polyester  
Plug body Material: Nylon  
Contact Material: Nickel plated brass  
Rear enclosure: Polyester with a UL flammability of 94V-0

**Terminals**

Brass, Clamp-type. Accommodates up to 6 AWG wire.

**Enclosure**

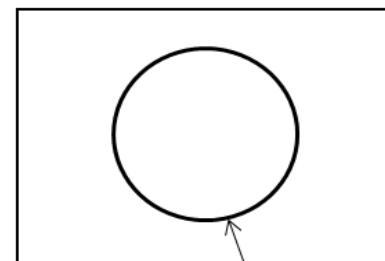
Provided. Includes strain relief.

**Mounting screws**

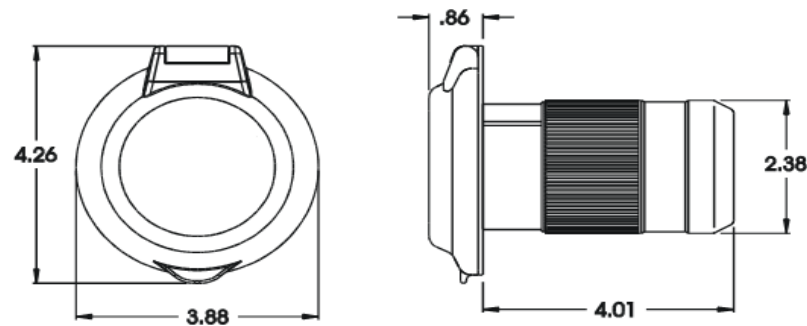
Not provided. No. 8 pan head recommended

**Listings**

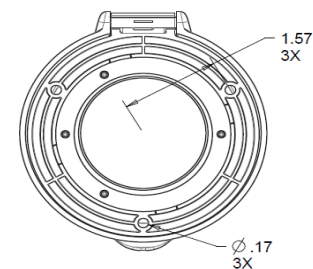
UL listed, File E57672  
CSA certified, File 81290\_0\_000  
Complies with ABYC and Coast Guard Standards



2-7/8" (2.875")  
Mounting hole  
diameter



Dimensions shown in inches



toll free 800.307.6702 | [park-power.com](http://park-power.com)

**ParkPower**  
by Marinco