

product specifications for:

# RV Adapters

## Item #: 3050RVSA

### Description

30A Male-50A Female Adapter, One Piece

### Electrical Specifications

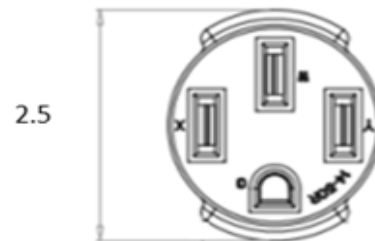
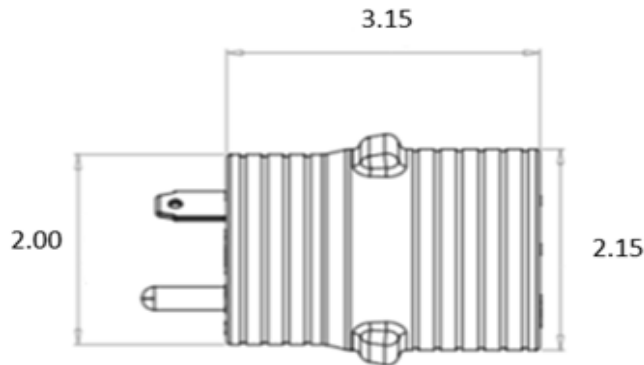
Max. Amperage: 30A  
Max. Voltage: 125V

### Configuration:

Male Plug: 30A 125V TT-30P  
Female Connector: 50A 125/250V 14-50R

### Material Specifications

Housing: PVC  
Contacts: Brass



Dimensions in inches



30A 125V  
2-Pole, 3-Wire  
RV Use Only



50A 125/250V  
3-Pole, 4-Wire

toll free 800.307.6702 | [park-power.com](http://park-power.com)

**Weekender**<sup>™</sup>  
by ParkPower<sup>®</sup>